



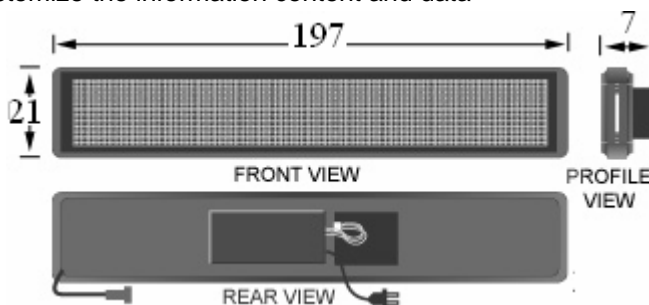
Moving LED Display Panel



In many case, the Moving LED Display Message is required to display normal message and interrupt message. GS Control software provide the function to set the normal display messages and interrupt solar system information. You can customize the information content and data source in GS Control or GS Logger.

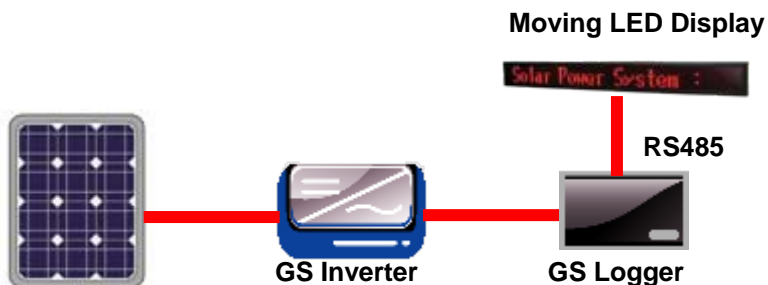
Features:

- Display moving message of solar system production and status
- Customize normal display message in GS Control
- Customize interrupt display message and data in GS Control



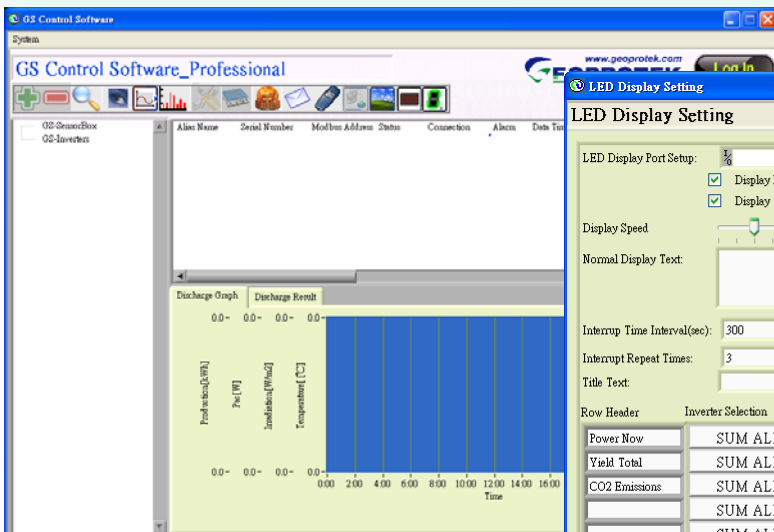
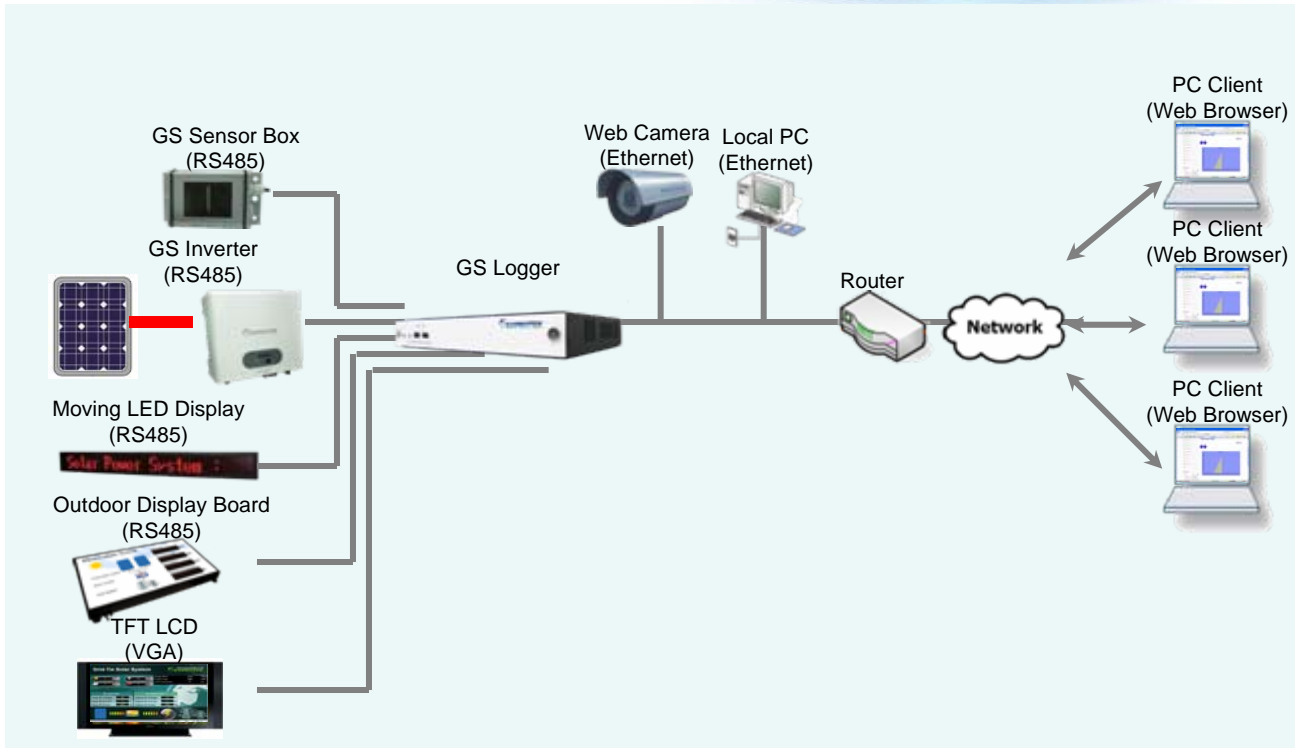
Specifications:

| | |
|--------------------|-----------------|
| Communication | RS485 |
| Lighting Source | LED |
| LED Diameter | 5mm |
| LED Distance | 10mm |
| Color | Red |
| Dot Number | 16DOTX192DOT |
| Resolution | 3072 DOT |
| Character Size | 16CMX16CM |
| Display Area | 16CMX192CM |
| Bound Size | 21CMX197CMX07CM |
| English Characters | 24 |





System Diagram:



The screenshot shows the **LED Display Setting** dialog box. It contains the following settings:

- LED Display Port Setup:** %
- Display Date
- Display Time
- Display Speed:** [Slider]
- Normal Display Text:** [Text Field]
- Interrupt Time Interval(sec):** 300
- Interrupt Repeat Times:** 3
- Title Text:** [Text Field]

| Row Header | Inverter Selection | Data Selection | Precision | Row Unit |
|---------------|--------------------|-----------------|-----------|----------|
| Power Now | SUM ALL | Pac [W] | 0 | kWac |
| Yield Total | SUM ALL | E-Total [KW-Hr] | 0 | kWh |
| CO2 Emissions | SUM ALL | CO2 Emission | 0 | kg |
| | SUM ALL | Alias Name | 0 | |
| | SUM ALL | Alias Name | 0 | |
| | SUM ALL | Alias Name | 0 | |
| | SUM ALL | Alias Name | 0 | |
| | SUM ALL | Alias Name | 0 | |

Buttons: